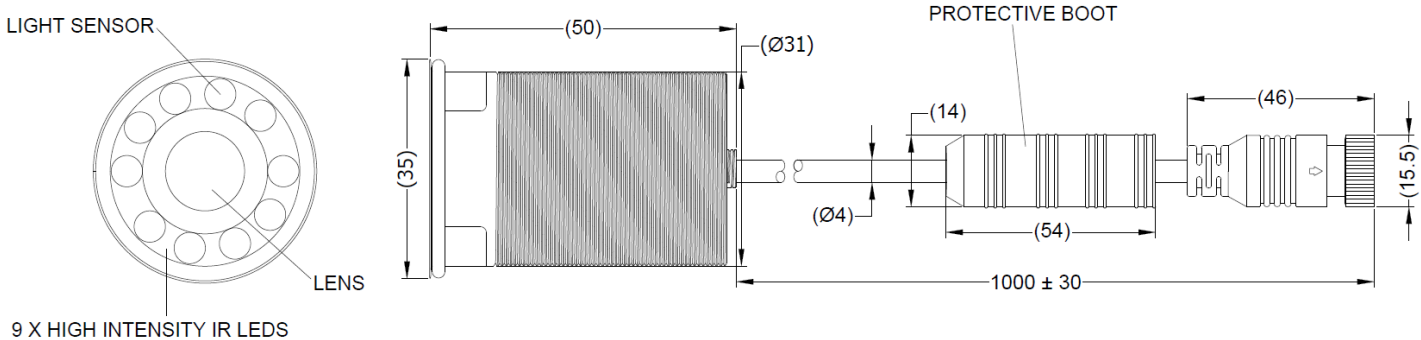


# Product Specification



**Brigade Model Number:** VBV-485C / VBV-481C

**Brigade Part Number:** 2199C / 2843C



Dimensions: mm

## Product Specification

### Environmental Specifications:

- Shock Rating: 50G
- Vibration Rating: 10G
- Camera IP Rating: IP69K / IP68
- Connector IP Rating: IP67
- Operating Temperature: -30° to +70°C
- Storage Temperature: -40° to +85°C

### Approved Standards:

*Both*

- Ingress Protection - (ISO 20653:2006)
- RoHS
- WEEE
- CE - (EN 61000-6-1:2007 / EN 61000-6-3:2007)
- E-mark

### VBV-481C

- FCC - (47 CFR Part 15 Subpart B)
- IC

### Technical Specifications:

- Operating Voltage: 12 Vdc
- Current Consumption: 160mA @ 12 Vdc
- Power Consumption: 1.92 Watts @ 12 Vdc
- Imaging Devices: CCD - 1/3" Sharp DSP - Seinmedia
- TV System:
  - VBV-485C: PAL
  - VBV-481C: NTSC
- Picture Elements:
  - VBV-485C: 976(H) x 582(V)
  - VBV-481C: 976(H) x 492(V)
- Visual Resolution:
  - VBV-485C: 680 TV Lines
  - VBV-481C: 800 TV Lines

- Lens Focal Length: 2.8mm
- Required Illumination: 0 Lux (with IR LED On)
- Illumination Distance: 6 metres x 5 metres
- Viewing Angle:
  - VBV-485C: 91°(H), 77°(V), 123°(D) ± 5%
  - VBV-481C: 96°(H), 71°(V), 126°(D) ± 5%
- Weight: 98g
- Video Output: 1.0 Vp-p / 75Ω
- Length of Cable: 1000 ± 30mm
- Overall Dimensions: 50 mm (D) x 35 mm (H)
- Mounting Hole Size: 35 mm
- Casing Material: Aluminium Alloy
- Finish: Anodised Black
- Camera View: Mirror

### Features:

- Night Vision via 9 x High Power Infrared LEDs enabled by integrated Day / Night sensor
- High Quality Sharp CCD & Seinmedia DSP
- Back Light Compensation
- Automatic White Balance
- Fixed IRIS
- VBV Type Female Connector

### Package Contents:

- 1 x VBV-48XC-C Camera
- 2 x VBV-48XC-AS Angled Spacer
- 1 x VBV-48XC-SP Spacer
- 1 x VBV-48XC-SSP Securing Spacer
- 1 x VBV-48XC-IG Installation Guide

